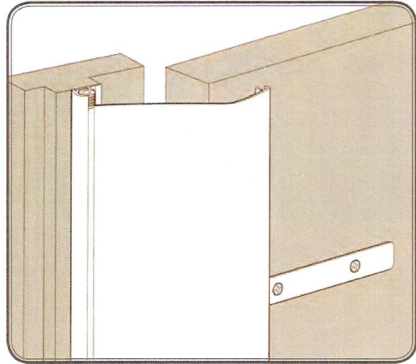


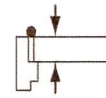
ALUSLIDE

Installation Instructions (SLIDE G2 / G3)



Designed for :

Door thickness



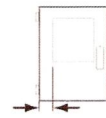
54 mm max

Opening angle



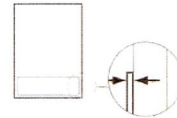
100° max

Clear width



150 mm min

Kickplate



3 mm max



single swing

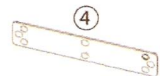
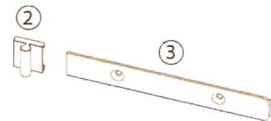
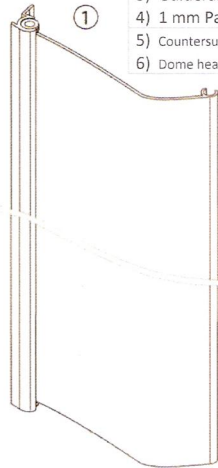


double swing

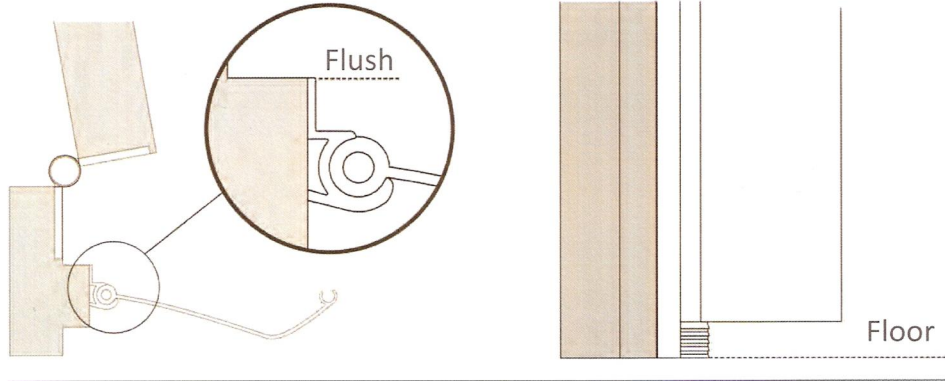
Parts list

	SLIDE G2	SLIDE G3	SLIDE G2-1925	SLIDE G3-1925
1) ALUSLIDE assembly	1	1	1	1
2) Connector	2	3	2	3
3) Guiderail	2	3	2	3
4) 1 mm Packer	6	6	6	6
5) Countersunk screw (No.8 x 25 mm)	4	6	4	6
6) Dome head screw (No.8 x 18 mm)	4	4	5	5

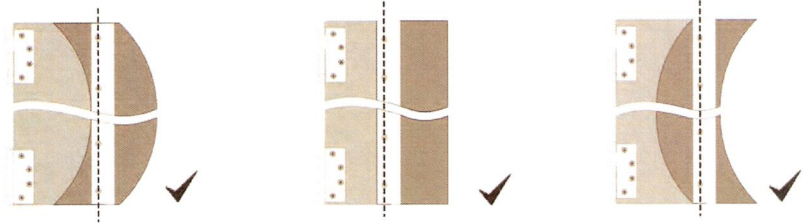
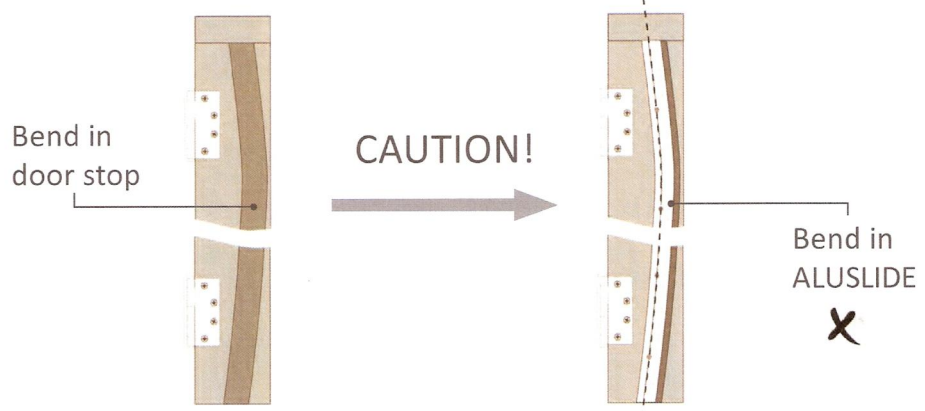
Tools required

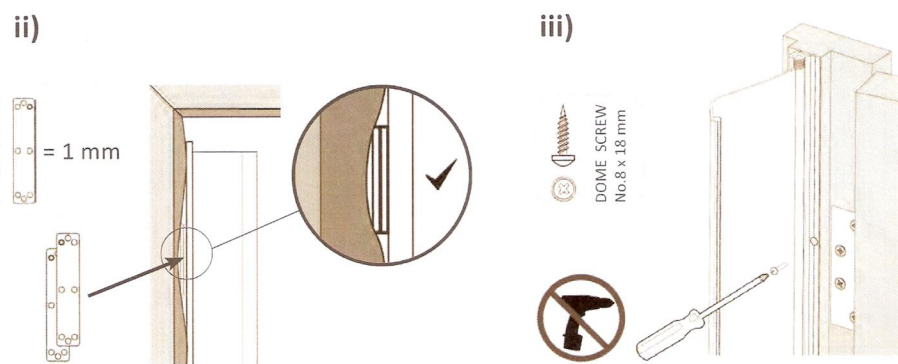
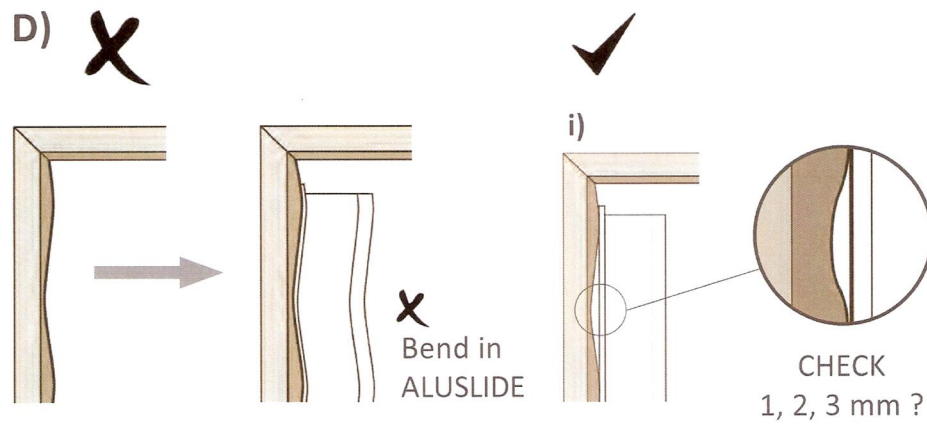
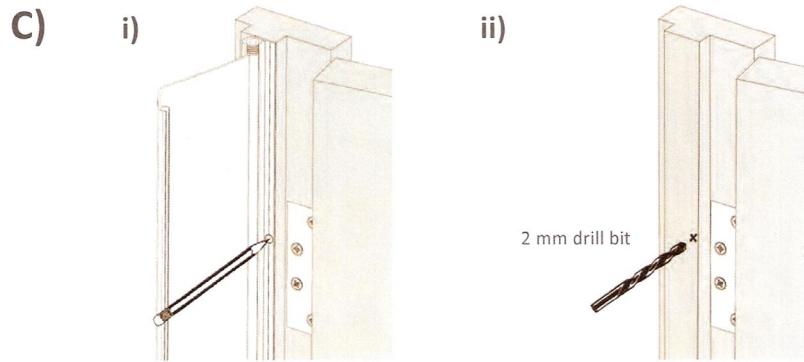


A)

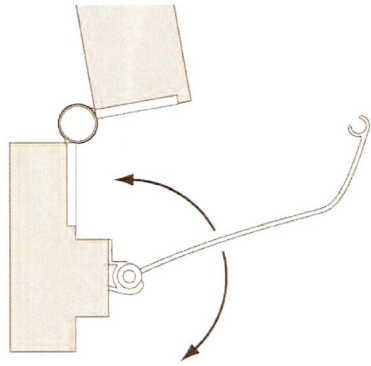


B) X





E)



TEST

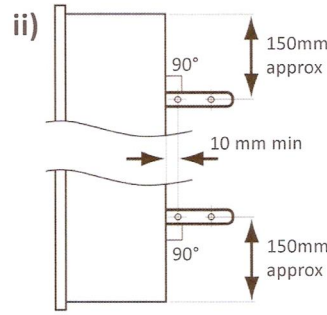
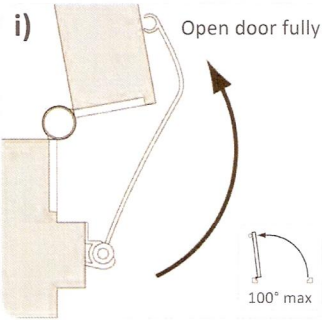


smooth
free moving
quiet
-> Step F



noise
tightness
scraping
-> Step B

F)



G)

